

Fig.1

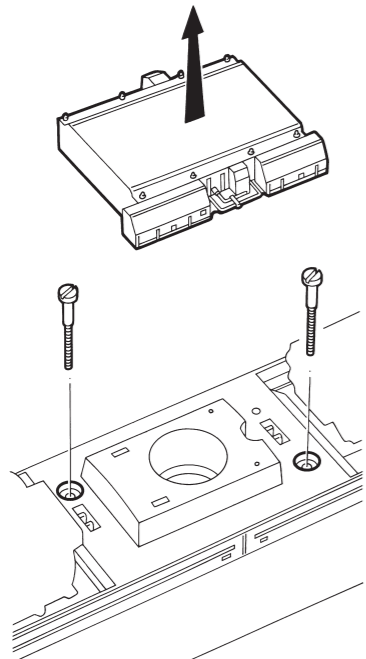


Fig.2

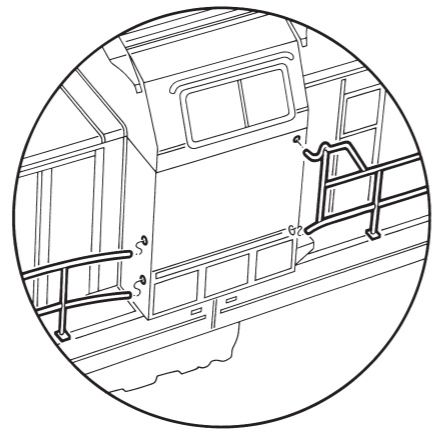


Fig.5

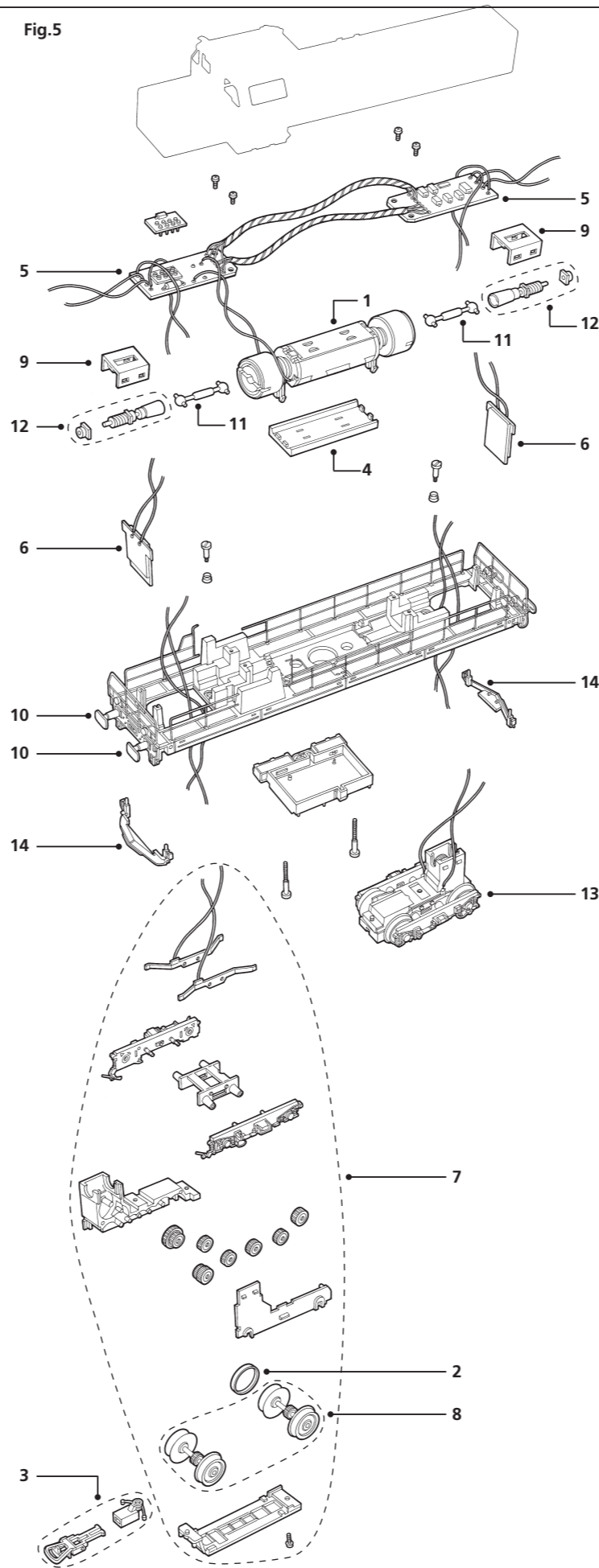


Fig.3

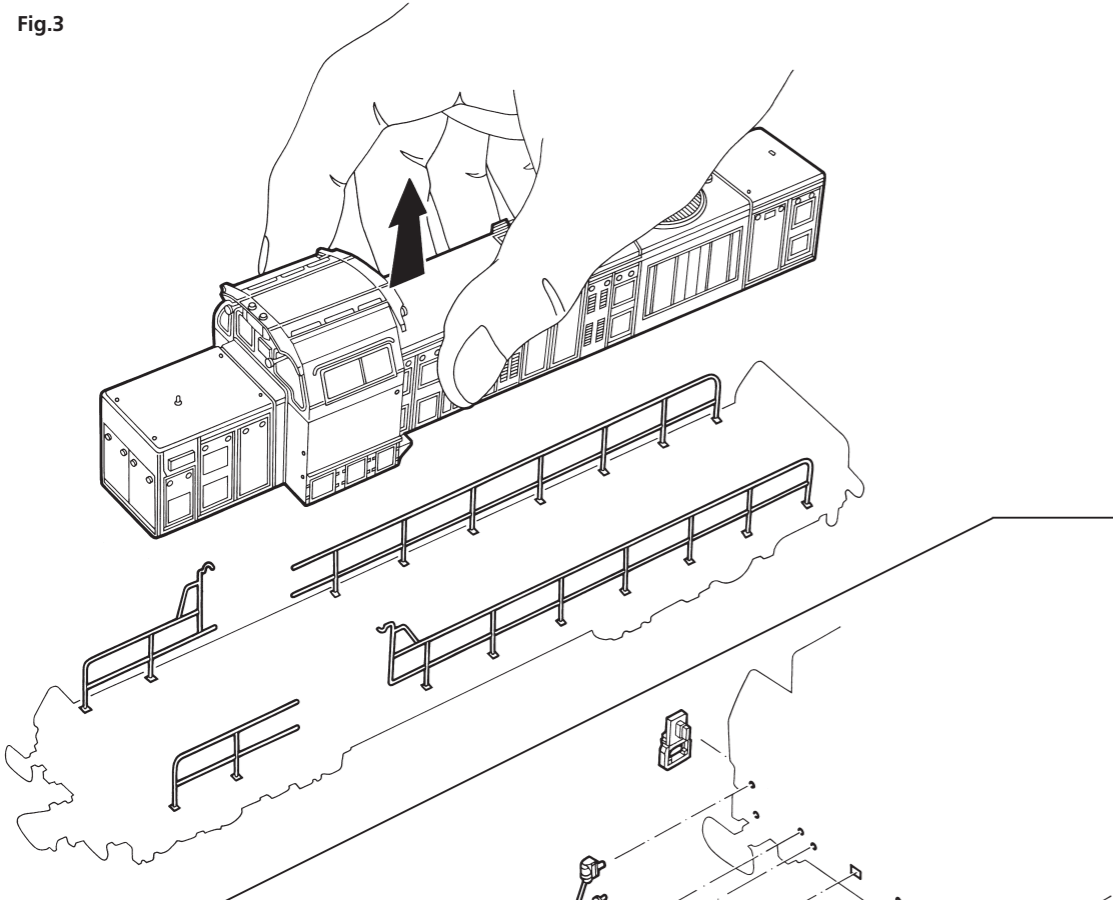
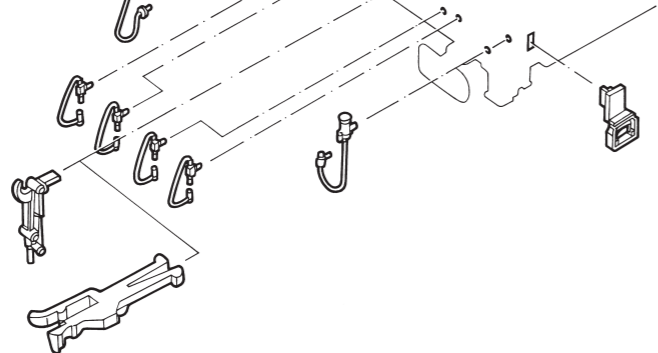


Fig.4

Assembly pack
Baugruppen-Satz
Pack de Montage
Confezione Complessivo



Item No Art,Nr Reference No di parte	Description Bezeichnung Refezence Descrizione	Pack Pckg Pack Confezione	HJ2001	HJ2007
1	Motor + Two Brass Flywheels Motor + Zwei Messing-Schwungscheiben Moteur + Duex Volants en Laiton Motore + Due Volani in Ottone	1	HS1247	HS1247
2	Traction Tyres Pack Haftreifen Pneus de Traction Pneumatici Trazione	10	HS1248	HS1248
3	Coupling Pack Kupplungssatz Pack de Couplage Confezione Attacco	10	HS1249	HS1249
4	Motor Support Motorhalterung Soutien moteur Supporto Motore	1	HS1250	HS1250
5	Main PCB Board Hauptleiterplatte Carte Principale de Circuit Imprime Scheda Principale a circuiti Stampati	1	HS1251	HS1251
6	Lights Board Lichtleiterplatte Carte de Circuit imprime Eclairage Scheda Circuito Stamato Luci	1	HS1252	HS1252
7	Drive Unit Antrieb Unite d'entrainement Trasmissione	2	HS1253	HS1264
8	Wheel Set Drive Unit Radsatz für Antrieb Jeu de roues unité motrice Azionamento set ruote	set	HS1254	HS1254
9	Gear Box Cover Pack Getriebe-Abdecksatz Pack Capot Boite d'Engrenages Coperchio Scatola Ingranaggi	pack	HS1255	HS1255
10	Buffer Pack Puffer-Satz Pack de Tampons Confezione Ammortizzatore	10	HS1256	HS1257
11	Universal Shaft Pack Universal-Wellensatz pack Axe Universel Confezione Albero Universale	10	HS1258	HS1258
12	Worm Pinion / Shaft Assembly Schneckenantriebs / Wellen-Baugruppe Pignon a Vis sans Fin / Ensemble Axe Gruppo Pignone Soldale / Albero	set	HS1259	HS1259
13	Bogie (without wheels) Drehgestell (ohne Räder) Bogie (sans les roues) Carrello (senza Route)	2	HS1260	HS1261
14	Assembly Pack Baugruppen-Satz Pack de Montage Confezione Complessivo	pack	HS1262	HS1263